

VERTICAL DRYER (HVW-T)

Short process times
and gentle product handling

TRANSFORMING
MATERIALS INTO VALUE



VERSATILE PROCESS OPTIONS

Achieving low residual moisture.



Stripping and drag gas drying

Drying with additional thermal desorption or convection.



Sterilization

Reducing bacteria count reliably without harming product quality.



Controlled reaction

Converting chemical substances under specified conditions.



Multiple process steps

Implementing complex processes with a single machine.



Controlled cooling and discharge

Reducing product temperature and metering discharge.



Special designs

Chemical, food and heavy duty design including ATEX, EHEDG, GMP and FDA design features.



GENTLE VACUUM DRYING

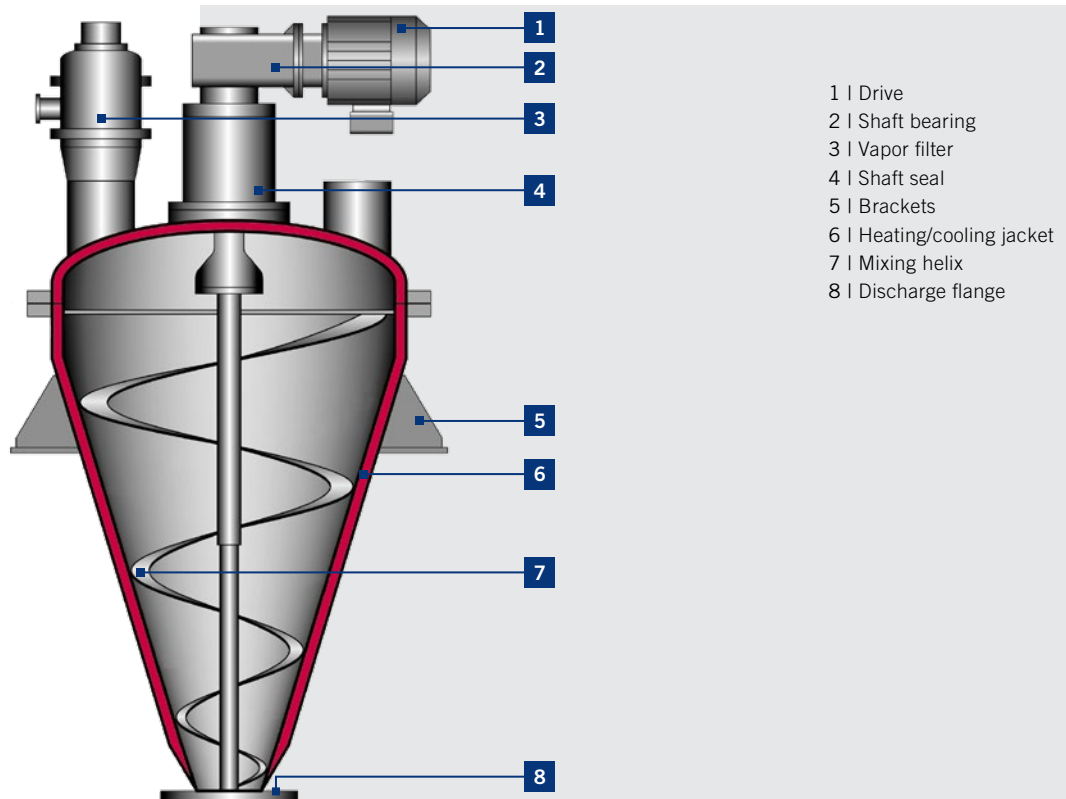
Batch drying of bulk materials.

The BHS **vertical dryer** is a batch-operated machine with a heated jacket. It delivers reproducible residual moisture through a gentle vacuum drying. The heating of the product is supported by the vertically rotating, helical blade mixer. The connected vacuum system reduces the steam pressure in the HWW-T and ensures rapid drying at low temperatures.

Advantages

- ✓ Gentle drying at low temperatures
 - ✓ Control of residual moisture through process monitoring
 - ✓ Optimum residual discharge
 - ✓ Tool-free cleaning with WIP/CIP spray nozzles
-

Dryer design



[More information](#)

www.bhs-sonthofen.com/hww-t

TOP PERFORMANCE IN EVERY DETAIL

Benefit from superior technology.



LOW OPERATING COSTS 1

- Low drying temperatures by means of vacuum
- Optimized process by smart controls
- Energy saving technology



LOW-MAINTENANCE DESIGN 2

- Durable design through FEM calculation
- Shaft seal and bearing outside of the product space
- Low shaft speed and few moving components



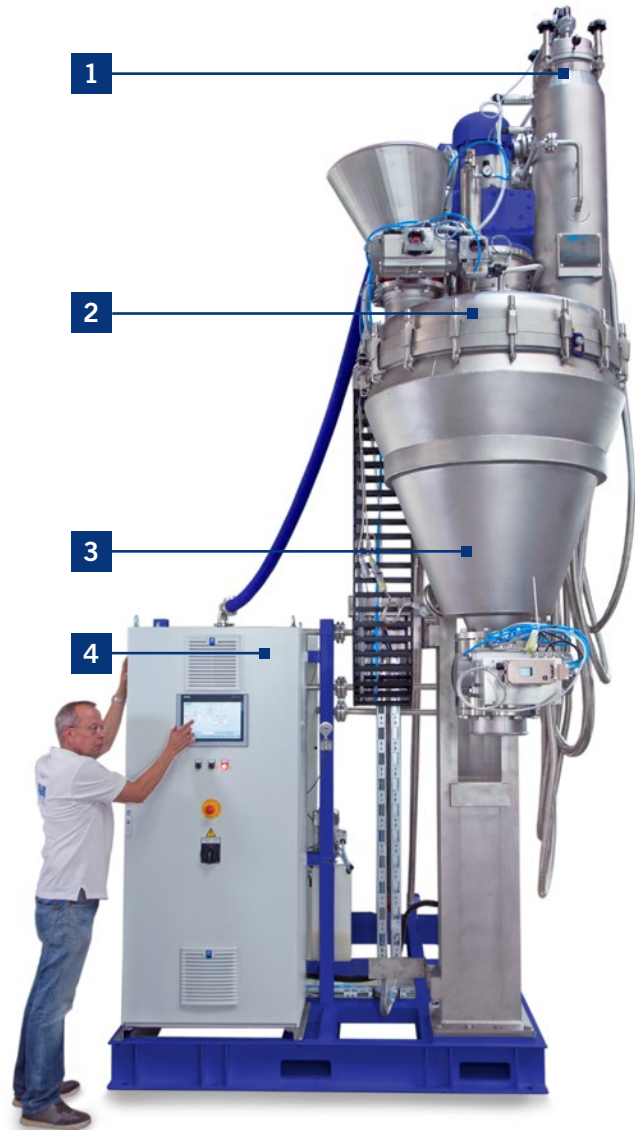
EFFICIENT DRYING 3

- Vacuum contact drying
- BHS homogenizing helix for optimum heat exchange
- Process optimized with baffles and choppers






HIGH PLANT SAFETY 4

- Robust design
- Dust and gas-tight system up to OEB Level 5
- Instrument-based process monitoring
- Risk analysis and ATEX design



801000316_EN, 01 | 2023, © BHS-Sonthofen GmbH – All rights reserved.
Technical data and illustrations are not binding with regard to deliveries. Subject to change without notice.

BHS-Sonthofen GmbH Process Technology ▪ An der Eisenschmelze 47 ▪ 87527 Sonthofen ▪ Germany

 www.bhs-sonthofen.com  +49 8321 60 99-530  process-technology@bhs-sonthofen.com

